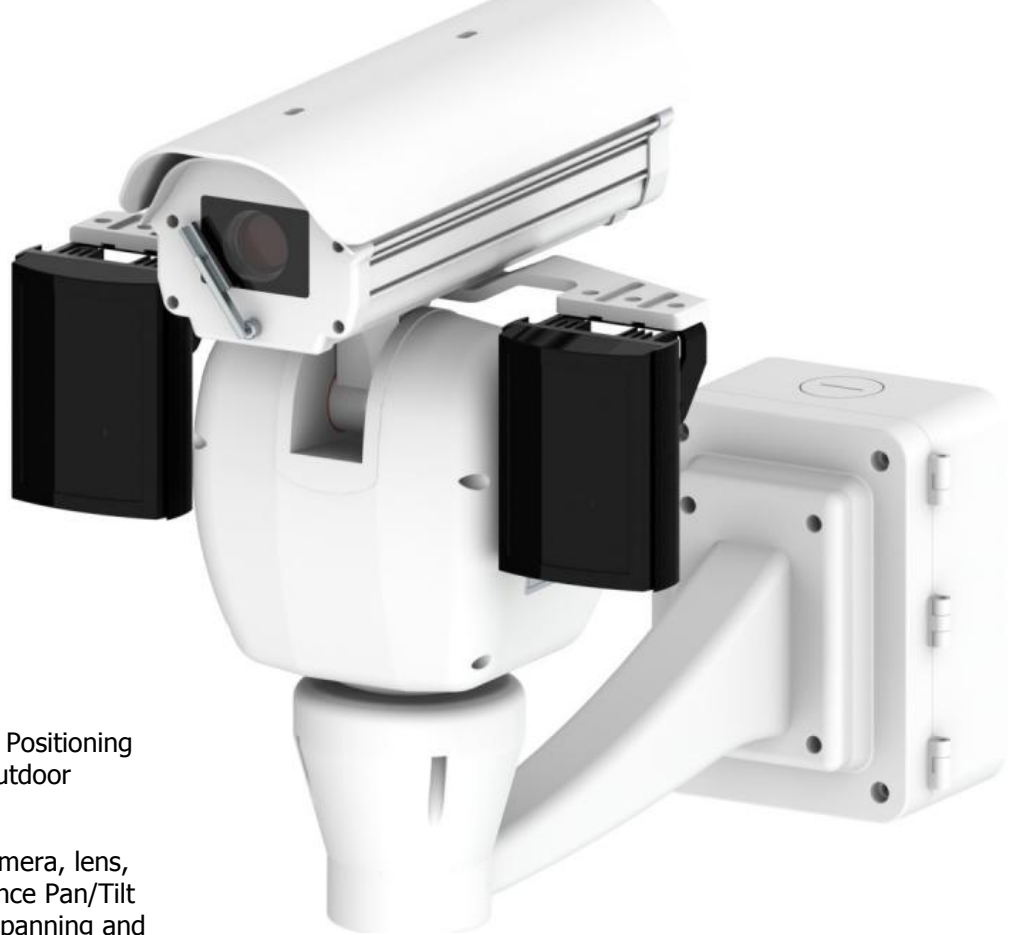


INTEGRATED POSITIONING SYSTEM

24/7 PERFECT OUTDOOR SURVEILLANCE SOLUTION IN ANY CONDITIONS



PRODIGY Series...

GSP PRODIGY Series is an Integrated Positioning System which is created for perfect outdoor surveillance in any conditions.

This positioning system consists of camera, lens, telemetry receiver and high performance Pan/Tilt driver, and provides 360° continuous panning and 90°~40° tilting range.

PRODIGY can be provided with not only various types like Analog / IP / IP Mega Pixel / Thermal but vacant version for whom would like to use their own zoom module inside of housing.

KEY FEATURES

- Integrated Camera, Lens, Telemetry Receiver and Pan/Tilt Driver
- Adaptable Analog, IP, IP Mega Pixel, Thermal and user's own module camera
- 360° Continuous Rotation & -90°~40° Tilting Range
- Variable Speed of Max. 120°/sec Pan and Max. 60°/sec Tilt
- Separate Slip-Ring for Tilting Mechanism *Passed 1 Million times of durability test*
- High Accuracy of Micro-Step Motor Control
- Quiet and Low Vibration
- Support Multi Protocol and Baud rate
- Support Coaxitron
- IP66 Rating and -40°C~60°C of Operating Temperature
- Built-in Fan & Defrost Heater and Automatic Temperature Control Circuit
- Remote Camera & Driver Firmware Upgrade via RS-485/422 Communication
- Optional Wiper, Water Pump and High-Sensitivity IR LED Lamp
- Easy & Simple Installation



GS-P37EX

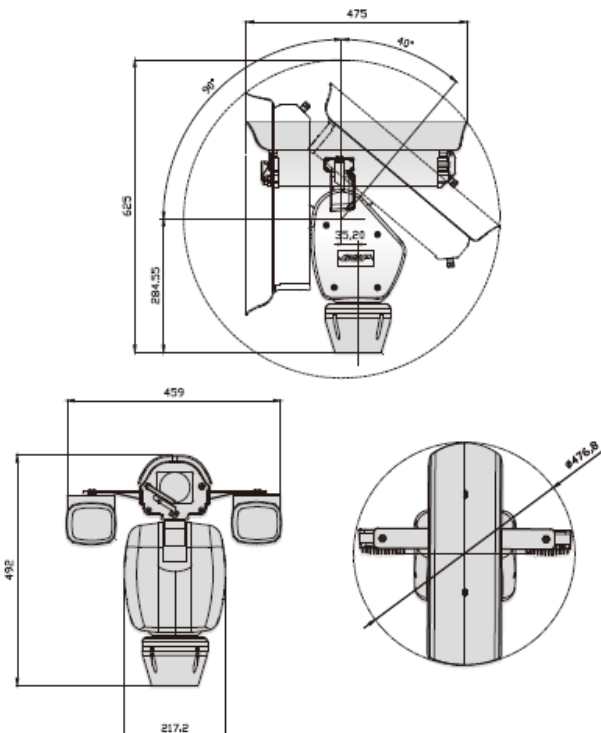
Prodigy 37X Analog Camera



FEATURES

- Integrate Positioning System for Perfect Outdoor Surveillance
- Sony 1/4" Interline Transfer CCD
- X37 Optical Zoom with Auto Focus (X16 Digital zoom)
- High Accuracy with Micro-Step Technology 0.003125° Preset Accuracy
- Horizontal Resolution of 600TVL (Color) / 700TVL (B/W)
- Day&Night (Auto ICR)
- 3D-DNR (Digital Noise Reduction)
- Sens-up *increase sensitivity of picture up to x128 in low illumination scene*
- Image Stabilizer *minimize appearance of shaky images caused by vibration*
- SDR (Super Dynamic Range)
- Privacy Masking 8 zones / Motion Detection
- On-Screen Display of Direction and Temperature Etc.
- Support PELCO Coaxitron
- Multi Protocol & Baud Rate
- Firmware Updateable via RS-485 / RS-422
- ARPC *Auto Recognition of Position Compensation*
- Built-in Wiper *Option - Control via RS-485*
- Built-in IR Illuminator *Option*
- Built-in Fan & Heater & Defrost Heater
- Built-in Power Surge/Lightning Protection / Automatic Temperature Control Circuit

DIMENSION



SPECIFICATION

Model	GS-P37EX(P)	GS-P37EX(N)
GENERAL		
Signal System	PAL	NTSC
Image Sensor	Sony 1/4" Interline Transfer CCD	
Lens	X37 Optical Zoom with Auto Focus (X16 Digital zoom) F1.6~F3.9 (f=3.5~129.5mm)	
Angle of View	H : 55.5°(Wide) ~ 1.59°(Tele) / V : 42.5°(Wide) ~ 1.19°(Tele)	
Total Pixel	470K	410K
Effective Pixel	(H)752 x (V)582	(H)768 x (V)494
Horizontal Resolution	600TVL (Color) / 700TVL (B/W)	
Scanning System	2:1 Interlace	
Scanning Frequency	(H)15.625KHz (V)50Hz	(H)15.734KHz (V)59.94Hz
S/N Ratio	More than 52dB (AGC Off)	
OSD	Support (Multi Language)	
Video Output Signal	VBS 1.0Vp-p Composite, 75Ω	
Video Output Connector	BNC	
Camera ID	1~255	
Communication	RS-485/422, Pelco Coaxitron & Multi Baud Rate	
Protocol	CyberScan I / II, Pelco-D/P, Samsung-T/E, Panasonic, AD, GE, Bosch, Vicon, Honeywell	
MECHANICAL		
Day&Night	Auto ICR	
Min. Illumination	Color: 0.2 Lux@F1.6 / B/W: 0.02Lux@F1.6 0.00004Lux@F1.6 (Sens-up X512)	
BLC	BLC / HSBLCL / Off	
Auto Gain Control	Low / Medium / High / Manual / Off	
White Balance	AWC / Manual / Indoor / Outdoor / ATW	
Electronic Shutter	1/50~1/120,000, A.FLK	1/60~1/120,000, A.FLK
Sens-up	OFF / AUTO (X2~X128)	
Motion Detection	Off / On	
Digital Image Stabilizer	Off / On	
Digital Noise Reduction	3D-DNR / SNR	
Super Dynamic Range	Off / On	
Privacy Masking	Off / On (8 Zones)	
Alarm Input / Output	4 / 2	
Panning Range & Speed	0°~360°, Max 120°/sec	
Tilting Range	-90°~40°, Max 60°/sec	
Preset & Speed	319, Max 120°/sec	
Scan / Group / Tour	8 / 8 / 4	
Power Source	AC24V / DC24~36V	
Power Consumption	25W(Heater Off), Max.100W(Heater On)	
Operating Temperature	-22°F~-158°F (-40°C~60°C)	
Operating Humidity	Up to 90% RH	
Storage Temperature	-58°F~-176°F (-50°C~80°C)	
Fan&Heater	Built-in Fan / Heater / Defrost Heater	
IP Rating	IP 66	
Color	Ivory	
Weight	9.5kg	
Dimension(mm)	(W)217x(H)585.7x(D)475	
Material	Aluminum, ABS	



GS-P37N

Prodigy 37X H.264 Network Camera



FEATURES

- Embedded Linux IP based system
- Integrate Positioning System for Perfect Outdoor Surveillance
- Sony 1/4" Interline Transfer CCD
- X37 Optical Zoom with Auto Focus (X16 Digital zoom)
- Resolution *D1, CIF, QCIF*
- Support Triple Codec *H.264 / MPEG-4 / MJPEG*
- Motion Tracking *Hardware based object Tracking & Intelligent Tracking Algorithm*
- High Accuracy with Micro-Step Technology *0.003125° Preset Accuracy*
- Horizontal Resolution of 600TVL (Color) / 700TVL (B/W)
- Day&Night (Auto ICR)
- 3D-DNR (Digital Noise Reduction)
- Sens-up *increase sensitivity of picture up to x128 in low illumination scene*
- Image Stabilizer *minimize appearance of shaky images caused by vibration*
- SDR (Super Dynamic Range)
- Privacy Masking *8 zones* / Motion Detection
- On-Screen Display of Direction and Temperature Etc.
- Support PELCO Coaxitron
- Multi Protocol & Baud Rate
- Firmware Updateable via RS-485 / RS-422
- Support SD Card Interface
- ARPC *Auto Recognition of Position Compensation*
- Built-in Wiper, Water Pump & IR Illuminator *Option*
- Built-in Fan & Heater & Defrost Heater
- Built-in Power Surge/Lightning Protection / Automatic Temperature Control Circuit

SPECIFICATION

Model	GS-P37N(P)	GS-P37N(N)
GENERAL		
Signal System	PAL	NTSC
Image Sensor	Sony 1/4" Interline Transfer CCD	
Lens	X37 Optical Zoom with Auto Focus (X16 Digital zoom) F1.6~F3.9 (f=3.5~129.5mm)	
Angle of View	H : 55.5°(Wide) ~ 1.59°(Tele) / V : 42.5°(Wide) ~ 1.19°(Tele)	
Total Pixel	470K	410K
Effective Pixel	(H)752 x (V)582	(H)768 x (V)494
Horizontal Resolution	600TVL (Color) / 700TVL (B/W)	
Scanning System	2:1 Interlace	
Scanning Frequency	(H)15.625KHz (V)50Hz	(H)15.734KHz (V)59.94Hz
S/N Ratio	More than 52dB (AGC Off)	
OSD	Support (Multi Language)	
Video Output Signal	VBS 1.0Vp-p Composite, 75Ω	
Video Output Connector	BNC	
Camera ID	1~255	
Communication	RS-485/422, Pelco Coaxitron & Multi Baud Rate	
Protocol	CyberScan I / II, Pelco-D/P, Samsung-T/E, Panasonic, AD, GE, Bosch, Vicon, Honeywell	
MECHANICAL		
Day&Night	Auto ICR	
Min. Illumination	Color: 0.2 Lux@F1.6 / B/W: 0.02Lux@F1.6 0.00004Lux@F1.6 (Sens-up X512)	
BLC	BLC / HSBLCL / Off	
Auto Gain Control	Low / Medium / High / Manual / Off	
White Balance	AWC / Manual / Indoor / Outdoor / ATW	
Electronic Shutter	1/50~1/120,000, A.FLK	1/60~1/120,000, A.FLK
Sens-up	OFF / AUTO (X2~X128)	
Motion Detection	Off / On	
Digital Image Stabilizer	Off / On	
Digital Noise Reduction	3D-DNR / SNR	
Super Dynamic Range	Off / On	
Privacy Masking	Off / On (8 Zones)	
Alarm Input / Output	4 / 2	
Panning Range & Speed	0°~360°, Max 120°/sec	
Tilting Range	-90°~40°, Max 60°/sec	
Preset & Speed	319, Max 120°/sec	
Scan / Group / Tour	8 / 8 / 4	
Power Source	AC24V / DC24~36V	
Power Consumption	25W(Heater Off), Max.100W(Heater On)	
Operating Temperature	-22°F~-158°F (-40°C~60°C)	
Operating Humidity	Up to 90% RH	
Storage Temperature	-58°F~-176°F (-50°C~80°C)	
Fan&Heater	Built-in Fan / Heater / Defrost Heater	
IP Rating	IP 66	
Color	Ivory	
Weight	9.5kg	
Dimension(mm)	(W)217x(H)585.7x(D)475	
Material	Aluminum, ABS	

NETWORK

OS	Embedded Linux	
Video Compression	Triple Codec(H.264 / MPEG-4 / MJPEG)	
Video Streaming Mode	VBR / CBR <i>Variable Bandwidth Control</i>	
Resolution	D1, CIF, QCIF	
Frame Rate	25/30FPS at D1	
Audio Compression	2-Way, G 711 PCM 16kHz	
Audio Input / Output	1 / 1	
OSD	Support	
SD Card Interface	Support	
Motion Detection	Support <i>FTP, e-mail, Alarm out, JPEG Recording on SD</i>	
Alarm	Pre-Pos Alarm	
Network	10/100 Mbps	
Protocol	IPv4	TCP/IP, UDP/IP, RTP(UDP), RTSP, NTP, HTTP,HTTPS, SSL, DNS, DDNS, DHCP, FTP, SMTP, ICMP, SNMPv1/v2c/v3(MIB-2)
	IPv6	TCP/IP, HTTP, HTTPS, DHCP
	Security	HTTPS(SSL),Digest Authentication (ID/PW)
DDNS	Public DDNS Service	
View	RMS, CMS, Web Browser	
Motion Tracking	Hardware based object Tracking & Intelligent Tracking Algorithm	
Auto Map	Auto Scenery map for quick PTZ movement	



GS-P20M

Prodigy 20X H.264 2.0 Megapixel Network Camera



FEATURES

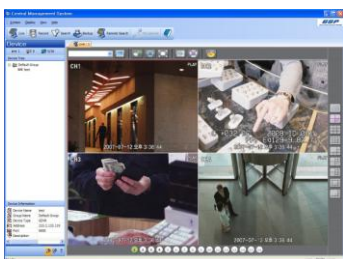
- Embedded Linux IP based system
- Sony 1/3" 2 Megapixel CMOS
- X20 Optical Zoom with Auto Focus (X10 Digital zoom)
- Resolution 1080p / 720p / D1 / CIF / QCIF
- Support Dual Codec H.264 / MJPEG
- High Accuracy with Micro-Step Technology 0.003125° Preset Accuracy
- Day&Night (Auto ICR)
- On-Screen Display of Direction and Temperature Etc.
- Support PELCO Coaxitron
- Multi Protocol & Baud Rate
- Firmware Updateable via RS-485 / RS-422
- Built-in Wiper, Water Pump & IR Illuminator *Option*
- Built-in Fan & Heater & Defrost Heater
- Built-in Power Surge/Lightning Protection / Automatic Temperature Control Circuit

NETWORK		
OS	Embedded Linux	
Video Compression	Dual Codec(H.264 / MJPEG)	
Video Streaming Mode	VBR / CBR <i>Variable Bandwidth Control</i>	
Resolution	All Codec : 1080p/720p/D1/CIF, MJPEG : QCIF	
Frame Rate	25/30FPS at 1080p	
Audio Compression	2-Way, G.711 PCM	
Audio Input / Output	1 / 1	
OSD	Support	
SD Card Interface	Support	
Motion Detection	Support <i>FTP, e-mail, Alarm out, JPEG Recording on SD</i>	
Alarm	Pre-Pos Alarm	
Network	10/100 Mbps	
Protocol	IPv4	TCP/IP, UDP/IP, RTP(UDP), RTSP, NTP, HTTP,HTTPS, SSL, DNS, DDNS, DHCP, FTP, SMTP, ICMP, SNMPv1/v2c/v3(MIB-2)
	IPv6	TCP/IP, HTTP, HTTPS, DHCP
	Security	HTTPS(SSL),Digest Authentication (ID/PW)
DDNS	Public DDNS Service	
View	RMS, CMS, Web Browser	

SPECIFICATION

Model	GS-P20M
GENERAL	
Image Sensor	Sony 1/3" 2 Megapixel CMOS
Lens	X20 Optical Zoom with Auto Focus (X10 Digital zoom) F1.6~3.5 (f=4.7~94.0mm)
Angle of View	54.1°(W) ~2.9 °(T)
Effective Pixel	Approx. 2 Mega pixels
Video Output Signal	VBS 1.0Vp-p Composite, 75Ω
Video Output Connector	BNC
Power Output Connector	Terminal Block
MECHANICAL	
Day&Night	Auto ICR
Min. Illumination	Color: 1.7 lux@50IRE, F1.6, B/W: 0.3 lux@50IRE, F1.6
WDR	Auto / Manual
Auto Gain Control	Auto/Manual/Max Gain Limit
White Balance	Auto / Manual /Indoor/Outdoor/One-push Mode
Electronic Shutter	1/2~1/10,000
Panning Range & Speed	0°~360°, Max 120°/sec
Tilting Range & Speed	-90°~40°, Max 60°/sec
Preset & Speed	1024 presets with Independent Camera Setup, 360°/sec
Auto Scan & Speed	128 Scan, 1°~180°/sec
Group	128 Group(Max. 20 Enters for Each Group)
Pattern	128 Pattern
PoE	N/A
Power Source	AC24V / DC24~36V
Power Consumption	25W(Heater Off), Max.100W(Heater On)
Operating Temperature	32°F~122°F (0°C~50°C)
Operating Humidity	Up to 90% RH
Storage Temperature	-4°F~140°F (-20°C~60°C)
Fan&Heater	Support
IP Rating	IP 66
Color	Ivory
Weight	9.5kg
Dimension(mm)	(W)217x(H)585.7x(D)475
Material	Aluminum, ABS

Remote Management System



- Perfect Compatibility with GSP units
- Real-Time Streaming up to 4CH
- Live Monitoring, Record, Playback, Backup
- H.264, MPEG4, M-JPEG
- 2 Way Audio
- E-mail Notification on Event
- Virtual PTZ Controller
- Multi Level User Authority
- Support AVI Converting
- Event Log with Quick Search Player *Option*
- E-Map / Public Address / Client&Server *Option*

Model		RMS-M01	RMS-M04	RMS-M09	RMS-M16
Live	Monitoring	1CH	4CH	9CH	16CH
	PTZ Control	Virtual / Joystick Controller			
	2 Way Audio	Support			
	Sequence	Channel / Group			
	Digital Zoom	Support			
Record	Capture / Print	Support			
	Configuration	Programmable Recording Channel			
Playback	Schedule	Always, Motion Detection, Sensor			
	Search	Time, Calender			
Backup	Speed	X0.5 / X1 / X2 / X4 / MAX			
	Local	Support			
Log Search	Configuration	Support Clip-Copy			
	System Log	Support			

GS-P32T

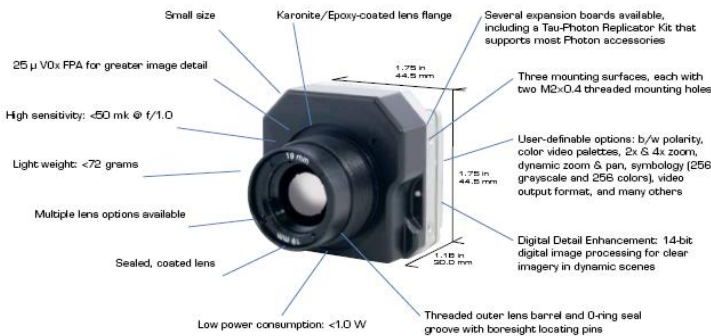
Prodigy Thermal Camera - FLIR Tau 320



Tau 320™
OPT: Tau 640

FEATURES

- 25-Micron Pixel Size
- Reduced time constant
- Lightweight – the four WFOV Tau models weigh less than 3 ounces
- CMOS and BT.656 digital video options
- Legacy Photon serial LVDS
- Optional SDK offers access to Tau's complete feature set
- Relative temperature measurement (WFOV lenses only)
- On-board image capture and storage
- Discrete camera control functions available to OEMs
- Nine lens options available (4 WFOV; 5 NFOV)
- Threaded WFOV lens barrel for external mounting attachment options
- Multi Protocol & Baud Rate
- Firmware Updateable via RS-485 / RS-422
- ARPC *Auto Recognition of Position Compensation*



IR Image through thick smoke



Intruder placing a suspected explosive device under a fuel truck.

SPECIFICATION

Model	GS-P32T
GENERAL	
Signal System	PAL / NTSC Selectable
Image Sensor	Uncooled VOx Microbolometer
FPA Formats	324 x 256
Pixel Size	25-micron
Full Frame Rate	30 Hz (NTSC); 25 Hz (PAL)
Exportable Frame Rates	7.5 Hz (NTSC); 8.3 Hz (PAL)
Input Power	4.0 - 6.0 VDC
Power Dissipation	<math>< 1 \text{ W}</math>
Sensitivity	<math>< 50 \text{ mk } f/1.0</math> (w/FLIR's proprietary noise reduction)
Time to Image, FFC Interval	<math>< 3.5 \text{ sec}</math>, <math>< 0.5 \text{ sec}</math>
Digital Detail Enhancement	Support
INTERFACE	
CMOS (14-bit or 8-bit)	Y
BT.656 (8-bit)	Y
Legacy Photon LVDS	30 Hz, 14-bit or 8-bit
Digital Zoom	x2 / x4
Dynamic Range Switching	Support
Color Palettes (LUTs)	Y
Day&Night	Auto ICR
Gamma Correction	Support
External Sync	Y
Discrete I/O Controls	Y
Snapshot Frame Capture	Y
MECHANICAL	
Panning Range & Speed	0°-360°, Max 120°/sec
Tilting Range	-90°-40°, Max 60°/sec
Preset & Speed	319, Max 120°/sec
Scan / Group / Tour	8 / 8 / 4
Power Source	AC24V / DC24-36V
Power Consumption	25W(Heater Off), Max.100W(Heater On)
Operating Temperature	-22°F~-158°F (-40°C~60°C)
Operating Humidity	Up to 90% RH
Storage Temperature	-58°F~-176°F (-50°C~80°C)
Fan&Heater	Built-in Fan / Heater / Defrost Heater
IP Rating	IP 66
Color	Ivory
Weight	9.5kg
Dimension(mm)	(W)217x(H)585.7x(D)475
Material	Aluminum, ABS

Tau Lens Data

Tau cameras have nine lens choices available, giving integrators flexibility in designing installations. The four wide field of view lenses (5, 9, 13, and 19 mm) are integrated directly into the Tau's camera body for improved durability and performance.

Tau Lens Data	Tau 320 Wide Field of View				Tau 320 Narrow Field of View							
	5 mm	9 mm	13 mm	19 mm	25 mm	35 mm	50 mm	60 mm	100 mm			
Resolution	160 x 120	160 x 120	320 x 240	160 x 120	320 x 240	320 x 240						
FOV (H x V)	43° x 35°	25° x 20°	48° x 37°	17° x 14°	34° x 26°	12° x 10°	24° x 18°	18° x 14°	13° x 10°	9.1° x 6.9°	7.6° x 5.7°	4.6° x 3.7°
f/#	1.25	1.25	1.25	1.25	1.25	1.1	1.2	1.2	1.25	1.6		
Weight (w/lens)	72 g	72 g	72 g	72 g	72 g	135 g	129 g	290 g	200 g	503 g		